

Dimensions:

A: _____ [mm]

H: _____ [mm]

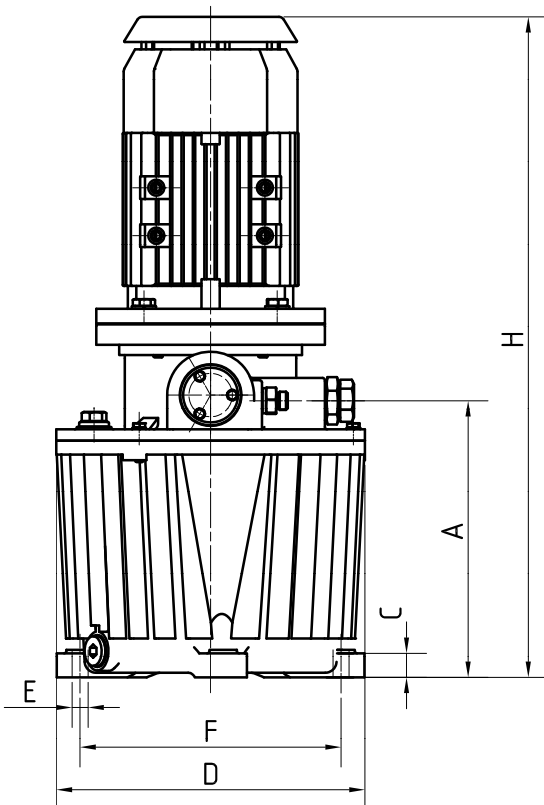
L: _____ [mm]

N: _____ [mm]

Stroke: __ [mm]

Piston force: _____ [N]

Spring: yes no
_____ [N]



Dimensions:

A: _____ [mm]

C: _____ [mm]

D: _____ [mm]

E: _____ [mm]

H: _____ [mm]

F: _____ [mm]

Operating pressure: __ [bar]

Feed rate: _____ [l/min]

Content of tank: _____ [L]

Motor: _____ [kW]

Control valve: yes no

Only right-handed rotation

Right- and left-handed rotation

Notes
